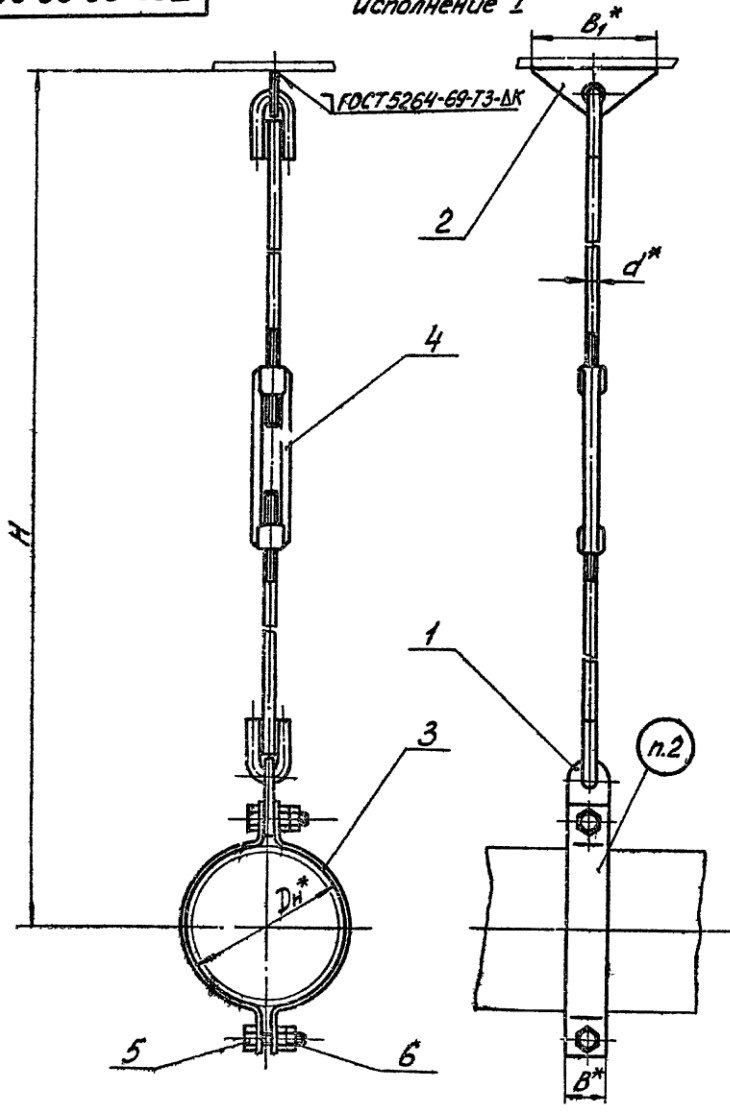


T23.00.00.000СБ

Исполнение I

Исполнение II



1. Сварку производить электродом типа Э42 по ГОСТ 9467-60
2. Маркировать: обозначение по чертежу и товарный знак завода - изготовителя.
- 3.\* Размеры для справок.

				<b>T23.00.00.000СБ</b>		
				<b>Опора подвесная жесткая</b>		
				<b>горизонтальных трубопроводов</b>		
				<b>Ди 89-325мм</b>		
				<b>Сборочный чертеж</b>		
Изм/Лист	№ док. изм.	Подп.	Дата	Лист	Масса	Масштаб
Разраб	Гранич	Урмин	26.10.78	1	См. табл.	—
Провер	Велитченко	Ролл	27.10.78	1	6	
Рук. зм	Свайкин	Гавр	28.10.78			
Ил. спец	Сорокин	Урмин	18.11.78			
И контр	Ермаков	Урмин	18.11.78			
Чтв	Фейгин	Урмин	18.11.78			
				Лист 1 / Листов 6		
				Минэнерго СССР		
				Главтехэнерго		
				Энергомонтажпроект		
				Пен филиал		

Копировал: Соболь 1410039-02 28 формат 12

Серия 4.903-10 Выпуск Б  
 Изм. № 01/02/03/04/05/06/07/08/09/10/11/12/13/14/15/16/17/18/19/20/21/22/23/24/25/26/27/28/29/30/31/32/33/34/35/36/37/38/39/40/41/42/43/44/45/46/47/48/49/50/51/52/53/54/55/56/57/58/59/60/61/62/63/64/65/66/67/68/69/70/71/72/73/74/75/76/77/78/79/80/81/82/83/84/85/86/87/88/89/90/91/92/93/94/95/96/97/98/99/100/101/102/103/104/105/106/107/108/109/110/111/112/113/114/115/116/117/118/119/120/121/122/123/124/125/126/127/128/129/130/131/132/133/134/135/136/137/138/139/140/141/142/143/144/145/146/147/148/149/150/151/152/153/154/155/156/157/158/159/160/161/162/163/164/165/166/167/168/169/170/171/172/173/174/175/176/177/178/179/180/181/182/183/184/185/186/187/188/189/190/191/192/193/194/195/196/197/198/199/200/201/202/203/204/205/206/207/208/209/210/211/212/213/214/215/216/217/218/219/220/221/222/223/224/225/226/227/228/229/230/231/232/233/234/235/236/237/238/239/240/241/242/243/244/245/246/247/248/249/250/251/252/253/254/255/256/257/258/259/260/261/262/263/264/265/266/267/268/269/270/271/272/273/274/275/276/277/278/279/280/281/282/283/284/285/286/287/288/289/290/291/292/293/294/295/296/297/298/299/300/301/302/303/304/305/306/307/308/309/310/311/312/313/314/315/316/317/318/319/320/321/322/323/324/325/326/327/328/329/330/331/332/333/334/335/336/337/338/339/340/341/342/343/344/345/346/347/348/349/350/351/352/353/354/355/356/357/358/359/360/361/362/363/364/365/366/367/368/369/370/371/372/373/374/375/376/377/378/379/380/381/382/383/384/385/386/387/388/389/390/391/392/393/394/395/396/397/398/399/400/401/402/403/404/405/406/407/408/409/410/411/412/413/414/415/416/417/418/419/420/421/422/423/424/425/426/427/428/429/430/431/432/433/434/435/436/437/438/439/440/441/442/443/444/445/446/447/448/449/450/451/452/453/454/455/456/457/458/459/460/461/462/463/464/465/466/467/468/469/470/471/472/473/474/475/476/477/478/479/480/481/482/483/484/485/486/487/488/489/490/491/492/493/494/495/496/497/498/499/500/501/502/503/504/505/506/507/508/509/510/511/512/513/514/515/516/517/518/519/520/521/522/523/524/525/526/527/528/529/530/531/532/533/534/535/536/537/538/539/540/541/542/543/544/545/546/547/548/549/550/551/552/553/554/555/556/557/558/559/560/561/562/563/564/565/566/567/568/569/570/571/572/573/574/575/576/577/578/579/580/581/582/583/584/585/586/587/588/589/590/591/592/593/594/595/596/597/598/599/600/601/602/603/604/605/606/607/608/609/610/611/612/613/614/615/616/617/618/619/620/621/622/623/624/625/626/627/628/629/630/631/632/633/634/635/636/637/638/639/640/641/642/643/644/645/646/647/648/649/650/651/652/653/654/655/656/657/658/659/660/661/662/663/664/665/666/667/668/669/670/671/672/673/674/675/676/677/678/679/680/681/682/683/684/685/686/687/688/689/690/691/692/693/694/695/696/697/698/699/700/701/702/703/704/705/706/707/708/709/710/711/712/713/714/715/716/717/718/719/720/721/722/723/724/725/726/727/728/729/730/731/732/733/734/735/736/737/738/739/740/741/742/743/744/745/746/747/748/749/750/751/752/753/754/755/756/757/758/759/760/761/762/763/764/765/766/767/768/769/770/771/772/773/774/775/776/777/778/779/780/781/782/783/784/785/786/787/788/789/790/791/792/793/794/795/796/797/798/799/800/801/802/803/804/805/806/807/808/809/810/811/812/813/814/815/816/817/818/819/820/821/822/823/824/825/826/827/828/829/830/831/832/833/834/835/836/837/838/839/840/841/842/843/844/845/846/847/848/849/850/851/852/853/854/855/856/857/858/859/860/861/862/863/864/865/866/867/868/869/870/871/872/873/874/875/876/877/878/879/880/881/882/883/884/885/886/887/888/889/890/891/892/893/894/895/896/897/898/899/900/901/902/903/904/905/906/907/908/909/910/911/912/913/914/915/916/917/918/919/920/921/922/923/924/925/926/927/928/929/930/931/932/933/934/935/936/937/938/939/940/941/942/943/944/945/946/947/948/949/950/951/952/953/954/955/956/957/958/959/960/961/962/963/964/965/966/967/968/969/970/971/972/973/974/975/976/977/978/979/980/981/982/983/984/985/986/987/988/989/990/991/992/993/994/995/996/997/998/999/1000/1001/1002/1003/1004/1005/1006/1007/1008/1009/1010/1011/1012/1013/1014/1015/1016/1017/1018/1019/1020/1021/1022/1023/1024/1025/1026/1027/1028/1029/1030/1031/1032/1033/1034/1035/1036/1037/1038/1039/1040/1041/1042/1043/1044/1045/1046/1047/1048/1049/1050/1051/1052/1053/1054/1055/1056/1057/1058/1059/1060/1061/1062/1063/1064/1065/1066/1067/1068/1069/1070/1071/1072/1073/1074/1075/1076/1077/1078/1079/1080/1081/1082/1083/1084/1085/1086/1087/1088/1089/1090/1091/1092/1093/1094/1095/1096/1097/1098/1099/1100/1101/1102/1103/1104/1105/1106/1107/1108/1109/1110/1111/1112/1113/1114/1115/1116/1117/1118/1119/1120/1121/1122/1123/1124/1125/1126/1127/1128/1129/1130/1131/1132/1133/1134/1135/1136/1137/1138/1139/1140/1141/1142/1143/1144/1145/1146/1147/1148/1149/1150/1151/1152/1153/1154/1155/1156/1157/1158/1159/1160/1161/1162/1163/1164/1165/1166/1167/1168/1169/1170/1171/1172/1173/1174/1175/1176/1177/1178/1179/1180/1181/1182/1183/1184/1185/1186/1187/1188/1189/1190/1191/1192/1193/1194/1195/1196/1197/1198/1199/1200/1201/1202/1203/1204/1205/1206/1207/1208/1209/1210/1211/1212/1213/1214/1215/1216/1217/1218/1219/1220/1221/1222/1223/1224/1225/1226/1227/1228/1229/1230/1231/1232/1233/1234/1235/1236/1237/1238/1239/1240/1241/1242/1243/1244/1245/1246/1247/1248/1249/1250/1251/1252/1253/1254/1255/1256/1257/1258/1259/1260/1261/1262/1263/1264/1265/1266/1267/1268/1269/1270/1271/1272/1273/1274/1275/1276/1277/1278/1279/1280/1281/1282/1283/1284/1285/1286/1287/1288/1289/1290/1291/1292/1293/1294/1295/1296/1297/1298/1299/1300/1301/1302/1303/1304/1305/1306/1307/1308/1309/1310/1311/1312/1313/1314/1315/1316/1317/1318/1319/1320/1321/1322/1323/1324/1325/1326/1327/1328/1329/1330/1331/1332/1333/1334/1335/1336/1337/1338/1339/1340/1341/1342/1343/1344/1345/1346/1347/1348/1349/1350/1351/1352/1353/1354/1355/1356/1357/1358/1359/1360/1361/1362/1363/1364/1365/1366/1367/1368/1369/1370/1371/1372/1373/1374/1375/1376/1377/1378/1379/1380/1381/1382/1383/1384/1385/1386/1387/1388/1389/1390/1391/1392/1393/1394/1395/1396/1397/1398/1399/1400/1401/1402/1403/1404/1405/1406/1407/1408/1409/1410/1411/1412/1413/1414/1415/1416/1417/1418/1419/1420/1421/1422/1423/1424/1425/1426/1427/1428/1429/1430/1431/1432/1433/1434/1435/1436/1437/1438/1439/1440/1441/1442/1443/1444/1445/1446/1447/1448/1449/1450/1451/1452/1453/1454/1455/1456/1457/1458/1459/1460/1461/1462/1463/1464/1465/1466/1467/1468/1469/1470/1471/1472/1473/1474/1475/1476/1477/1478/1479/1480/1481/1482/1483/1484/1485/1486/1487/1488/1489/1490/1491/1492/1493/1494/1495/1496/1497/1498/1499/1500/1501/1502/1503/1504/1505/1506/1507/1508/1509/1510/1511/1512/1513/1514/1515/1516/1517/1518/1519/1520/1521/1522/1523/1524/1525/1526/1527/1528/1529/1530/1531/1532/1533/1534/1535/1536/1537/1538/1539/1540/1541/1542/1543/1544/1545/1546/1547/1548/1549/1550/1551/1552/1553/1554/1555/1556/1557/1558/1559/1560/1561/1562/1563/1564/1565/1566/1567/1568/1569/1570/1571/1572/1573/1574/1575/1576/1577/1578/1579/1580/1581/1582/1583/1584/1585/1586/1587/1588/1589/1590/1591/1592/1593/1594/1595/1596/1597/1598/1599/1600/1601/1602/1603/1604/1605/1606/1607/1608/1609/1610/1611/1612/1613/1614/1615/1616/1617/1618/1619/1620/1621/1622/1623/1624/1625/1626/1627/1628/1629/1630/1631/1632/1633/1634/1635/1636/1637/1638/1639/1640/1641/1642/1643/1644/1645/1646/1647/1648/1649/1650/1651/1652/1653/1654/1655/1656/1657/1658/1659/1660/1661/1662/1663/1664/1665/1666/1667/1668/1669/1670/1671/1672/1673/1674/1675/1676/1677/1678/1679/1680/1681/1682/1683/1684/1685/1686/1687/1688/1689/1690/1691/1692/1693/1694/1695/1696/1697/1698/1699/1700/1701/1702/1703/1704/1705/1706/1707/1708/1709/1710/1711/1712/1713/1714/1715/1716/1717/1718/1719/1720/1721/1722/1723/1724/1725/1726/1727/1728/1729/1730/1731/1732/1733/1734/1735/1736/1737/1738/1739/1740/1741/1742/1743/1744/1745/1746/1747/1748/1749/1750/1751/1752/1753/1754/1755/1756/1757/1758/1759/1760/1761/1762/1763/1764/1765/1766/1767/1768/1769/1770/1771/1772/1773/1774/1775/1776/1777/1778/1779/1780/1781/1782/1783/1784/1785/1786/1787/1788/1789/1790/1791/1792/1793/1794/1795/1796/1797/1798/1799/1800/1801/1802/1803/1804/1805/1806/1807/1808/1809/1810/1811/1812/1813/1814/1815/1816/1817/1818/1819/1820/1821/1822/1823/1824/1825/1826/1827/1828/1829/1830/1831/1832/1833/1834/1835/1836/1837/1838/1839/1840/1841/1842/1843/1844/1845/1846/1847/1848/1849/1850/1851/1852/1853/1854/1855/1856/1857/1858/1859/1860/1861/1862/1863/1864/1865/1866/1867/1868/1869/1870/1871/1872/1873/1874/1875/1876/1877/1878/1879/1880/1881/1882/1883/1884/1885/1886/1887/1888/1889/1890/1891/1892/1893/1894/1895/1896/1897/1898/1899/1900/1901/1902/1903/1904/1905/1906/1907/1908/1909/1910/1911/1912/1913/1914/1915/1916/1917/1918/1919/1920/1921/1922/1923/1924/1925/1926/1927/1928/1929/1930/1931/1932/1933/1934/1935/1936/1937/1938/1939/1940/1941/1942/1943/1944/1945/1946/1947/1948/1949/1950/1951/1952/1953/1954/1955/1956/1957/1958/1959/1960/1961/1962/1963/1964/1965/1966/1967/1968/1969/1970/1971/1972/1973/1974/1975/1976/1977/1978/1979/1980/1981/1982/1983/1984/1985/1986/1987/1988/1989/1990/1991/1992/1993/1994/1995/1996/1997/1998/1999/2000/2001/2002/2003/2004/2005/2006/2007/2008/2009/2010/2011/2012/2013/2014/2015/2016/2017/2018/2019/2020/2021/2022/2023/2024/2025/2026/2027/2028/2029/2030/2031/2032/2033/2034/2035/2036/2037/2038/2039/2040/2041/2042/2043/2044/2045/2046/2047/2048/2049/2050/2051/2052/2053/2054/2055/2056/2057/2058/2059/2060/2061/2062/2063/2064/2065/2066/2067/2068/2069/2070/2071/2072/2073/2074/2075/2076/2077/2078/2079/2080/2081/2082/2083/2084/2085/2086/2087/2088/2089/2090/2091/2092/2093/2094/2095/2096/2097/2098/2099/2100/2101/2102/2103/2104/2105/2106/2107/2108/2109/2110/2111/2112/2113/2114/2115/2116/2117/2118/2119/2120/2121/2122/2123/2124/2125/2126/2127/2128/2129/2130/2131/2132/2133/2134/2135/2136/2137/2138/2139/2140/2141/2142/2143/2144/2145/2146/2147/2148/2149/2150/2151/2152/2153/2154/2155/2156/2157/2158/2159/2160/2161/2162/2163/2164/2165/2166/2167/2168/2169/2170/2171/2172/2173/2174/2175/2176/2177/2178/2179/2180/2181/2182/2183/2184/2185/2186/2187/2188/2189/2190/2191/2192/2193/2194/2195/2196/2197/2198/2199/2200/2201/2202/2203/2204/2205/2206/2207/2208/2209/2210/2211/2212/2213/2214/2215/2216/2217/2218/2219/2220/2221/2222/2223/2224/2225/2226/2227/2228/2229/2230/2231/2232/2233/2234/2235/2236/2237/2238/2239/2240/2241/2242/2243/2244/2245/2246/2247/2248/2249/2250/2251/2252/2253/2254/2255/2256/2257/2258/2259/2260/2261/2262/2263/2264/2265/2266/2267/2268/2269/2270/2271/2272/2273/2274/2275/2276/2277/2278/2279/2280/2281/2282/2283/2284/2285/2286/2287/2288/2289/2290/2291/2292/2293/2294/2295/2296/2297/2298/2299/2300/2301/2302/2303/2304/2305/2306/2307/2308/2309/2310/2311/2312/2313/2314/2315/2316/2317/2318/2319/2320/2321/2322/2323/2324/2325/2326/2327/2328/2329/2330/2331/2332/2333/2334/2335/2336/2337/2338/2339/2340/2341/2342/2343/2344/2345/2346/2347/2348/2349/2350/2351/2352/2353/2354/2355/2356/2357/2358/2359/2360/2361/2362/2363/2364/2365/2366/2367/2368/2369/2370/2371/2372/2373/2374/2375/2376/2377/2378/2379/2380/2381/2382/2383/2384/2385/2386/2387/2388/2389/2390/2391/2392/2393/2394/23

T23.00.00.000065

Размеры в мм

Таблица 1

Продолжение табл 1

Обозначение	Наружный диаметр трубопровода Dн	Допускаемая вертикальная нагрузка, кгс	H ≈		B	B <sub>1</sub>	d	K	Масса, кг	Обозначение	Наружный диаметр трубопровода Dн	Допускаемая вертикальная нагрузка, кгс	H ≈		B	B <sub>1</sub>	d	K	Масса, кг	
			max	min									max	min						
T23.01.00.000065	89	300	1230	1150	30	120	10	6	2,08	T23.22.00.000065	159	1200	1310	1160	40					5,54
T23.02.			1480	1380					2,23	T23.23.			1560	1410						5,93
T23.03.			1730	1630					2,39	T23.24.			1810	1660						6,32
T23.04.			1980	1880					2,54	T23.25.			2060	1910						6,73
T23.05.			2230	2130					2,70	T23.26.			2310	2160						7,12
T23.06.			2480	2380					2,85	T23.27.			2560	2410						7,51
T23.07.			2730	2630					3,00	T23.28.			2810	2660						7,90
T23.08.			1260	1160					2,70	T23.29.			1330	1180						5,78
T23.09.			1510	1410					2,93	T23.30.			1580	1420						6,17
T23.10.	1760	1660	3,15	T23.31.	1830	1680	6,56													
T23.11.	108	500	2010	1910	12	150	8	3,37	T23.32.	194	1500	2080	1930	150						6,97
T23.12.			2260	2160				3,59	T23.33.			2330	2180							7,36
T23.13.			2510	2410				3,81	T23.34.			2580	2430							7,75
T23.14.			2760	2660				4,03	T23.35.			2830	2680							8,14
T23.15.			1300	1150				5,36	T23.36.			1340	1190							8,96
T23.16.	1550	1400	5,75	T23.37.	1590	1440	9,58													
T23.17.	133	800	1800	1650	40	16	8	6,14	T23.38.	219	2000	1840	1690	60						10,20
T23.18.			2050	1900				6,55	T23.39.			2090	1940							10,82
T23.19.			2300	2150				6,94	T23.40.			2340	2190							11,43
T23.20.			2550	2400				7,33	T23.41.			2590	2440							12,05
T23.21.00.000065			2800	2650				7,72	T23.42.00.000065			2840	2690							12,67

Серия 4.903-10 Выпуск 6

Подпись и дата

Имя и должность

Взам инв №

Подпись и дата

Имя и должность

Изм	Лист	№ докум	Подп	Дата
-----	------	---------	------	------

T23.00.00.000065

Лист

2

Копир. Белаява 4.00529-02 26 Формат 12

Т23.00.00.000СБ

Серия 4.903-10 Выпуск 6

Изм. № 1, 2, 3, 4, 5, 6, 7, 8, 9, 10, 11, 12, 13, 14, 15, 16, 17, 18, 19, 20, 21, 22, 23, 24, 25, 26, 27, 28, 29, 30, 31, 32, 33, 34, 35, 36, 37, 38, 39, 40, 41, 42, 43, 44, 45, 46, 47, 48, 49, 50, 51, 52, 53, 54, 55, 56, 57, 58, 59, 60, 61, 62, 63, 64, 65, 66, 67, 68, 69, 70, 71, 72, 73, 74, 75, 76, 77, 78, 79, 80, 81, 82, 83, 84, 85, 86, 87, 88, 89, 90, 91, 92, 93, 94, 95, 96, 97, 98, 99, 100, 101, 102, 103, 104, 105, 106, 107, 108, 109, 110, 111, 112, 113, 114, 115, 116, 117, 118, 119, 120, 121, 122, 123, 124, 125, 126, 127, 128, 129, 130, 131, 132, 133, 134, 135, 136, 137, 138, 139, 140, 141, 142, 143, 144, 145, 146, 147, 148, 149, 150, 151, 152, 153, 154, 155, 156, 157, 158, 159, 160, 161, 162, 163, 164, 165, 166, 167, 168, 169, 170, 171, 172, 173, 174, 175, 176, 177, 178, 179, 180, 181, 182, 183, 184, 185, 186, 187, 188, 189, 190, 191, 192, 193, 194, 195, 196, 197, 198, 199, 200, 201, 202, 203, 204, 205, 206, 207, 208, 209, 210, 211, 212, 213, 214, 215, 216, 217, 218, 219, 220, 221, 222, 223, 224, 225, 226, 227, 228, 229, 230, 231, 232, 233, 234, 235, 236, 237, 238, 239, 240, 241, 242, 243, 244, 245, 246, 247, 248, 249, 250, 251, 252, 253, 254, 255, 256, 257, 258, 259, 260, 261, 262, 263, 264, 265, 266, 267, 268, 269, 270, 271, 272, 273, 274, 275, 276, 277, 278, 279, 280, 281, 282, 283, 284, 285, 286, 287, 288, 289, 290, 291, 292, 293, 294, 295, 296, 297, 298, 299, 300, 301, 302, 303, 304, 305, 306, 307, 308, 309, 310, 311, 312, 313, 314, 315, 316, 317, 318, 319, 320, 321, 322, 323, 324, 325, 326, 327, 328, 329, 330, 331, 332, 333, 334, 335, 336, 337, 338, 339, 340, 341, 342, 343, 344, 345, 346, 347, 348, 349, 350, 351, 352, 353, 354, 355, 356, 357, 358, 359, 360, 361, 362, 363, 364, 365, 366, 367, 368, 369, 370, 371, 372, 373, 374, 375, 376, 377, 378, 379, 380, 381, 382, 383, 384, 385, 386, 387, 388, 389, 390, 391, 392, 393, 394, 395, 396, 397, 398, 399, 400, 401, 402, 403, 404, 405, 406, 407, 408, 409, 410, 411, 412, 413, 414, 415, 416, 417, 418, 419, 420, 421, 422, 423, 424, 425, 426, 427, 428, 429, 430, 431, 432, 433, 434, 435, 436, 437, 438, 439, 440, 441, 442, 443, 444, 445, 446, 447, 448, 449, 450, 451, 452, 453, 454, 455, 456, 457, 458, 459, 460, 461, 462, 463, 464, 465, 466, 467, 468, 469, 470, 471, 472, 473, 474, 475, 476, 477, 478, 479, 480, 481, 482, 483, 484, 485, 486, 487, 488, 489, 490, 491, 492, 493, 494, 495, 496, 497, 498, 499, 500, 501, 502, 503, 504, 505, 506, 507, 508, 509, 510, 511, 512, 513, 514, 515, 516, 517, 518, 519, 520, 521, 522, 523, 524, 525, 526, 527, 528, 529, 530, 531, 532, 533, 534, 535, 536, 537, 538, 539, 540, 541, 542, 543, 544, 545, 546, 547, 548, 549, 550, 551, 552, 553, 554, 555, 556, 557, 558, 559, 560, 561, 562, 563, 564, 565, 566, 567, 568, 569, 570, 571, 572, 573, 574, 575, 576, 577, 578, 579, 580, 581, 582, 583, 584, 585, 586, 587, 588, 589, 590, 591, 592, 593, 594, 595, 596, 597, 598, 599, 600, 601, 602, 603, 604, 605, 606, 607, 608, 609, 610, 611, 612, 613, 614, 615, 616, 617, 618, 619, 620, 621, 622, 623, 624, 625, 626, 627, 628, 629, 630, 631, 632, 633, 634, 635, 636, 637, 638, 639, 640, 641, 642, 643, 644, 645, 646, 647, 648, 649, 650, 651, 652, 653, 654, 655, 656, 657, 658, 659, 660, 661, 662, 663, 664, 665, 666, 667, 668, 669, 670, 671, 672, 673, 674, 675, 676, 677, 678, 679, 680, 681, 682, 683, 684, 685, 686, 687, 688, 689, 690, 691, 692, 693, 694, 695, 696, 697, 698, 699, 700, 701, 702, 703, 704, 705, 706, 707, 708, 709, 710, 711, 712, 713, 714, 715, 716, 717, 718, 719, 720, 721, 722, 723, 724, 725, 726, 727, 728, 729, 730, 731, 732, 733, 734, 735, 736, 737, 738, 739, 740, 741, 742, 743, 744, 745, 746, 747, 748, 749, 750, 751, 752, 753, 754, 755, 756, 757, 758, 759, 760, 761, 762, 763, 764, 765, 766, 767, 768, 769, 770, 771, 772, 773, 774, 775, 776, 777, 778, 779, 780, 781, 782, 783, 784, 785, 786, 787, 788, 789, 790, 791, 792, 793, 794, 795, 796, 797, 798, 799, 800, 801, 802, 803, 804, 805, 806, 807, 808, 809, 810, 811, 812, 813, 814, 815, 816, 817, 818, 819, 820, 821, 822, 823, 824, 825, 826, 827, 828, 829, 830, 831, 832, 833, 834, 835, 836, 837, 838, 839, 840, 841, 842, 843, 844, 845, 846, 847, 848, 849, 850, 851, 852, 853, 854, 855, 856, 857, 858, 859, 860, 861, 862, 863, 864, 865, 866, 867, 868, 869, 870, 871, 872, 873, 874, 875, 876, 877, 878, 879, 880, 881, 882, 883, 884, 885, 886, 887, 888, 889, 890, 891, 892, 893, 894, 895, 896, 897, 898, 899, 900, 901, 902, 903, 904, 905, 906, 907, 908, 909, 910, 911, 912, 913, 914, 915, 916, 917, 918, 919, 920, 921, 922, 923, 924, 925, 926, 927, 928, 929, 930, 931, 932, 933, 934, 935, 936, 937, 938, 939, 940, 941, 942, 943, 944, 945, 946, 947, 948, 949, 950, 951, 952, 953, 954, 955, 956, 957, 958, 959, 960, 961, 962, 963, 964, 965, 966, 967, 968, 969, 970, 971, 972, 973, 974, 975, 976, 977, 978, 979, 980, 981, 982, 983, 984, 985, 986, 987, 988, 989, 990, 991, 992, 993, 994, 995, 996, 997, 998, 999, 1000

Продолжение табл. 1

Обозначение	Наружный диаметр трубопровода Dн	Допущенная вертикальная нагрузка, кгс	H ≈		B	B1	d	κ	Масса, кг
			max	min					
Т23.43.00.000СБ	273	2600	1390	1240	60	150	20	8	10,64
Т23.44			1640	1490					11,26
Т23.45			1890	1740					11,88
Т23.46			2140	1990					12,50
Т23.47			2390	2240					13,11
Т23.48			2640	2490					13,73
Т23.49			2890	2740					14,35
Т23.50	325	3500	1460	1290	80	200	24	8	17,00
Т23.51			1710	1540					17,89
Т23.52			1960	1790					18,78
Т23.53			2210	2040					19,66
Т23.54			2460	2290					20,55
Т23.55			2710	2540					21,44
Т23.56.00.000СБ			2960	2790					22,97

Пример обозначения подвесной опоры исполнения I для трубопровода Dн = 194 мм, Hmax = 1580 мм

ОПОРА ПОДВЕСНАЯ I-194 Т23.30.

Изм/Лист	№ докум	Подп	Дата

Т23.00.00.000СБ

Лист 3

Копия Беляева 4.00.52.9-0.2, 27 формат 12



723.00.00.00005

Продолжение, т. 3, 2

Спецификация

№ поз.	1		2*		3		4		5		6							
Наименование	Серьга с тягой		Плавник с тягой		Полухамут		Мурта		Болт		Гайка							
Количество	1		1		2		1		2		4							
Материал					Лист 3 ГОСТ 5581 - 57 Вкл. 3** ГОСТ 14837 - 89		Вкл. 3** ГОСТ 380-71		Сталь 35 ГОСТ 1050 - 60		Сталь 20 ГОСТ 1050 - 60							
на чертеже или стандарта	Т23.00.01.00005		Т23.00.02.00005		Т23.00.00.001		ГОСТ 16127 - 70		ГОСТ 7798 - 70		ГОСТ 5915 - 70							
Обозначение	Обозначение	Масса, кг	Обозначение	Масса, кг	Обозначение	Масса, кг		Обозначение	Масса, кг	Обозначение		Масса, кг	Обозначение	Масса, кг				
						шт	Общ.			шт	Общ.			шт	Общ.	шт	Общ.	
T23.22.00.00005	T23.15.01.00005	1,32	T23.15.02.00005	1,73	T23.22.00.001	0,61	1,22	M16	0,90	M16 x 35,56	0,121	0,242	M16.5	0,033	0,132			
T23.23.			T23.16.	2,12														
T23.24.			T23.17.	2,51														
T23.25.			T23.18.	2,92														
T23.26.			T23.19.	3,31														
T23.27.			T23.20.	3,70														
T23.28.			T23.21.	4,09														
T23.29.			T23.15.	1,73												T23.29.00.001	0,73	1,46
T23.30.			T23.16.	2,12														
T23.31.			T23.17.	2,51														
T23.32.	T23.18.	2,92																
T23.33.	T23.19.	3,31																
T23.34.	T23.20.	3,70																
T23.35.	T23.21.	4,09																
T23.36.	T23.36.01.00005	2,29	T23.36.	2,63	T23.36.00.001	1,20	2,40	M20	0,90	M20 x 70,56	0,244	0,488	M20.5	0,063	0,252			
T23.37.			T23.37.	3,25														
T23.38.			T23.38.	3,87														
T23.39.			T23.39.	4,49														
T23.40.			T23.40.	5,10														
T23.41.			T23.41.	5,72														
T23.42.00.00005			T23.42.00.00005	6,34														

Серия 4.903-10 Выпуск 6

Изд. на лист. Подпись и дата. Имя, №, дата. Подпись и дата. Имя, №, дата. Подпись и дата. Имя, №, дата.

Изм.	Лист	№ докум.	Подп.	Дата	723.00.00.00005	Лист 5
Изм.	Лист	№ докум.	Подп.	Дата		

Имя: В. Ковалева 14.00.529-02. 29 Формат: 17

723.00.00.0000СБ

Продолжение табл 2

Спецификация

№ п/п	1		2*		3		4		5		6				
Наименование	Серьга с тягой		Плавник с тягой		Полукорнунт		Муфта		болт		Гайка				
Количество	1		1		2		1		2		4				
Материал	—		—		Лист 3 ГОСТ 5681 - 57 ВСт 3** ГОСТ 14637 - 69		ВСт 3** ГОСТ 380-71		Сталь 35 ГОСТ 1050-60		Сталь 20 ГОСТ 1050-60				
на чертёж или стандарта	Т23.00.01.0000СБ		Т23.00.02.0000СБ		Т23.00.00.001		ГОСТ 16127 - 70		ГОСТ 7798 - 70		ГОСТ 5915 - 70				
Обозначение	Обозначение	Масса, кг	Обозначение	Масса, кг	Обозначение	Масса, кг		Обозначение	Масса, кг	Обозначение	Масса, кг		Обозначение	Масса, кг	
						шт.	Общ.				шт.	Общ.		шт.	Общ.
T23.43.00.0000СБ	T23.36.01.0000СБ	2,29	T23.36.02.0000СБ	2,63	T23.43.00.001	2,04	4,08	M20	0,90	M20x70,56	0,244	0,488	M20,5	0,063	0,252
T23.44.			T23.37	3,25											
T23.45.			T23.38	3,87											
T23.46.			T23.39	4,49											
T23.47.			T23.40	5,10											
T23.48.			T23.41	5,72											
T23.49.			T23.42	6,34											
T23.50.			T23.50	4,42											
T23.51.			T23.51	5,31											
T23.52.	T23.52	6,20													
T23.53.	T23.50.01.0000СБ	3,44	T23.53	7,08	T23.50.00.001	3,14	6,28	M24	1,70	M24x70,56	0,366	0,732	M24,5	0,107	0,428
T23.54.			T23.54	7,97											
T23.55.			T23.55	8,86											
T23.56.00.0000СБ			T23.56.02.0000СБ	10,39											

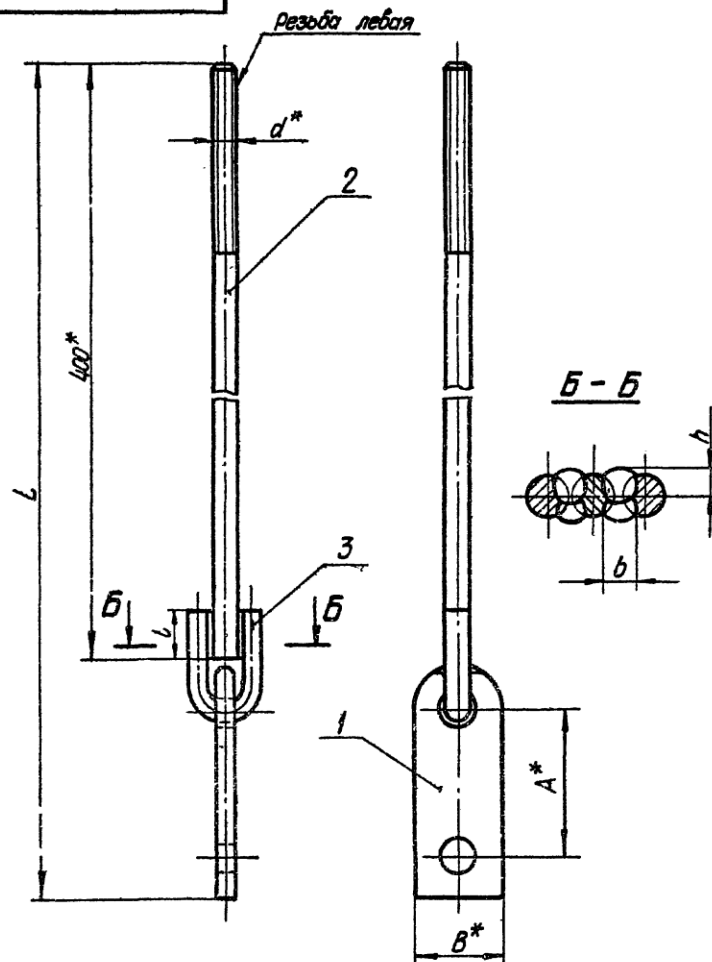
1.\* Для исполнения II тягу применять без плавника  
 2.\*\* См технические требования ТЗ 00.00.000 ТТ п13

Серия 4.903-10 Выпуск 6

Изм	Лист	неодом	Подп.	Дата	723.00.00.0000СБ	Лист 6
Копир безъядра 4.00.524-02 30 Формат А2						

723.00.01.000СБ

Серия 4.903-10 Выпуск 6



Размеры в мм. Таблица 1

Обозначение	d	L <sub>н</sub>	A	B	L	b	h	Масса, кг
T23.01.01.000СБ	M10	515	70	40	26	10	6	0,59
T23.08	M12				35		7	0,75
T23.15.	M16	520			45	12	9	1,32
T23.36.	M20	540	80	50	50	14	11	2,29
T23.50.01.000СБ	M24	575	90	60	60	16	13	3,44

Таблица 2

Спецификация							Масса изготовленной металла сварных швов кг
№ поз	1	2	3				
Наименование	Серьга	Тяга	Цилиндр				
Количество	1	1	1				
Материал	Лист S ГОСТ 5681-57 ВснЗ ГОСТ 14637-69	Круг d ГОСТ 2590-71 20 ГОСТ 1050-60					
№ чертежа или стандарта	T23.00.01.001	T23.00.01.002	T23.00.01.003				
Обозначение	Обозначение	Мас-ст, кг	Обозначение	Мас-ст, кг	Обозначение	Мас-ст, кг	
T23.01.01.000СБ	T23.01.01.001	0,25	T23.01.01.002	0,25	T23.01.01.003	0,065	0,025
T23.08			T23.08	0,36	T23.08	0,113	
T23.15.	T23.15.	0,35	T23.15	0,63	T23.15	0,260	0,075
T23.36.	T23.36.	0,68	T23.36.	0,99	T23.36.	0,480	0,125
T23.50.01.000СБ	T23.50.01.001	0,94	T23.50.01.002	1,42	T23.50.01.003	0,860	0,215

T23.00.01.000СБ

Имя	Лист	№ докум	Подп	Дата	Серьга с тягой Сварочный чертеж	Лист	Масса	Масштаб
Резаб	1	Андреева	Валл	84.09		Ст. 1/1	---	---
Проб	Величенко	Велл	84.09					
Викел	Сорокин	Сорок	84.09					
П спец	Сорокин	Сорок	84.09					
Н.кантор	Ермаков	Ермак						
Ств.	Фейдим	Фейди						

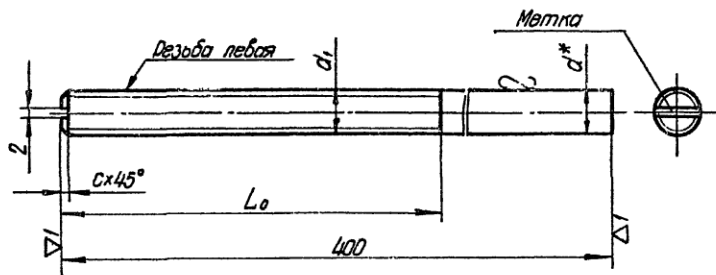
1. Сварку производить электродами типа Э42 по ГОСТ 9467-60.
- 2\* Размеры для справок
- 3\*\* См. технические требования ТЗ.00.00.000ТТ п.13.

Копия Беларуси 4.0015.99-02, 31

Имя, № докум, Подпись и дата, Визы, №

T 23.00.01.002

▽3 (▽)



Размеры в мм

Обозначение	d	d <sub>1</sub>	L <sub>0</sub>	C	Масса, кг
T23.01.01.002	10	M10	90	1,6	0,25
T23.08	12	M12	100		0,36
T.23.15.	16	M16	110	2,0	0,63
T23.36.	20	M20	120	2,5	0,99
T23.50.01.002	24	M24	130		1,42

\* Размер для справок.

T 23.00.01.002

Тяга

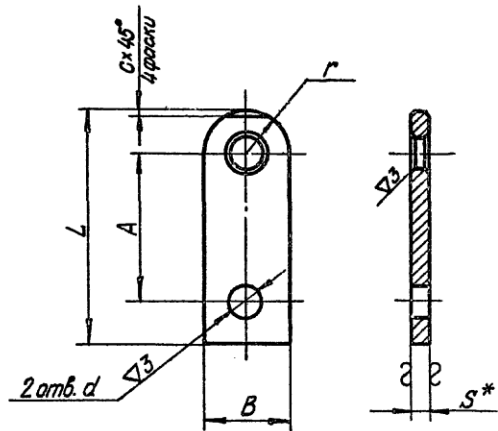
Лит.	Масса	Масштаб
—	См табл.	—
Лист	Листов 1	

Круг d ГОСТ 2590 - 71  
20 ГОСТ 1050 - 60

20.1.1.11

T 23.00.01.001

▽1 (▽)



Размеры в мм

Обозначение	L	A	B	r	S	d	C	Масса, кг
T 23.01.01.001	110	70	40	20	8	14	2	0,25
T 23.15					12	18	3	0,35
T 23.36	130	80	50	25	16	23	4	0,68
T 23.50.01.001	150	90	60	30	27	27	4	0,94

1.\* Размер для справок.

2.\*\* См. технические требования Т3.00.00.000 ТТ п 13.

T 23.00.01.001

Серга

Лит.	Масса	Масштаб
—	См табл.	—
Лист	Листов 1	

Лист S ГОСТ 5681 - 57  
ВСм3\*\* ГОСТ 14637 - 69

Лит.	Масса	Масштаб
—	См табл.	—
Лист	Листов 1	

Минэнерго СССР  
Габтгелкознергоаппарат  
энергомонтажпроект  
Лен филиал

4.00529-02 32 20.1.1.11

Серия 4.903-10 Выпуск 6

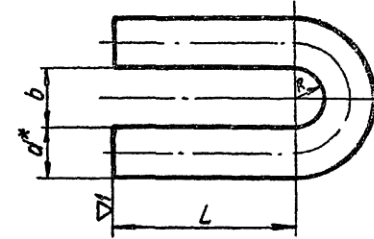
Серия 4.903-10 Выпуск 6

И.п. № 0001 Подпись и дата  
И.п. № 0001 Подпись и дата  
И.п. № 0001 Подпись и дата  
И.п. № 0001 Подпись и дата

И.п. № 0001 Подпись и дата  
И.п. № 0001 Подпись и дата  
И.п. № 0001 Подпись и дата  
И.п. № 0001 Подпись и дата

T23.00.01.003

(Δ) 2



$$R = \frac{b}{2}$$

Размеры в мм

Обозначение	Допустимая нагрузка, кгс	d	L	b	Развернутая длина	Масса, кг
T23.01.01.003	300	10	35	13	106	0,065
T23.08.	450	12	45	15	133	0,118
T23.15.	1500	16	55	20	167	0,260
T23.36.	2400	20	65	24	200	0,490
T23.50.01.003	3400	24	80	28	242	0,860

\* Размер для справок.

Серия 4.903-10 Выпуск 6

Подпись и дата / Имя, фамилия, инициалы / Имя, фамилия, инициалы / Имя, фамилия, инициалы / Имя, фамилия, инициалы

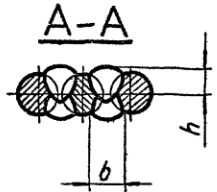
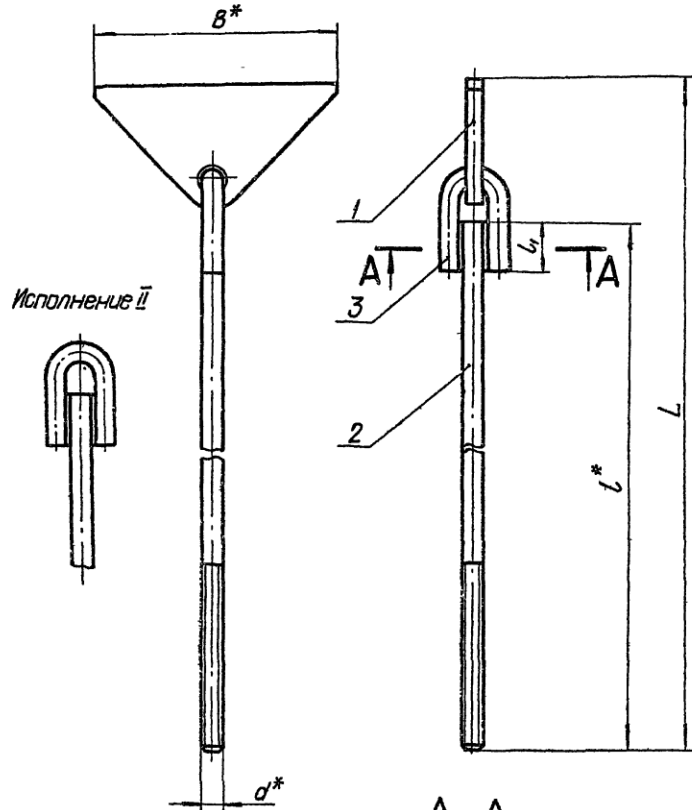
				<b>T23.00.01.003</b>		
				Ушко		
				Лист	Масса	Масштаб
				1	см	—
				Лист 1		
				Круг		
				d ГОСТ 2590 - 71		
				20 ГОСТ 1050 - 60		
				Минэнерго СССР Госпланэнергомантех энергомонтажпроект Лен филиал		

Копир. Бетлева 4.00.52.9-02 33

Формат 12

Т23.00.02.000СБ

Исполнение I



1. Сварку производить электродами типа Э42 по ГОСТ 9467-60.
- 2.\* Размеры для справок.

Размеры в мм

Таблица 1

Обозначение	d	L ≈	l	B	L <sub>1</sub>	h	b	Масса, кг
T23.01 02.000СБ		565	500					0,66
T23.02		815	750					0,81
T23.03		1065	1000					0,97
T23.04	M10	1315	1250	120	26	6	10	1,12
T23.05		1565	1500					1,28
T23.06		1815	1750					1,43
T23.07		2065	2000					1,58
T23.08		585	500					1,04
T23.09		835	750					1,27
T23.10		1085	1000					1,49
T23.11	M12	1335	1250		35	7	10	1,71
T23.12		1585	1500					1,93
T23.13		1835	1750					2,15
T23.14		2085	2000					2,37
T23.15		345	460					1,73
T23.16		795	710					2,12
T23.17		1045	960					2,51
T23.18	M16	1295	1210	150	45	9	12	2,92
T23.19		1545	1460					3,31
T23.20		1795	1710					3,70
T23.21		2045	1960					4,09
T23.26		525	440					2,63
T23.27		775	690					3,25
T23.28		1025	940					3,87
T23.29	M20	1275	1190		50	11	14	4,49
T23.30		1525	1440					5,10
T23.31		1775	1690					5,72
T23.32		2025	1940					6,34
T23.30		550	420					4,12
T23.51		800	670					5,31
T23.52		1050	920					6,20
T23.53	M24	1300	1170	200	60	13	15	7,08
T23.54		1550	1420					7,97
T23.55		1800	1670					8,86
T23.56 02.000СБ		2050	1920					10,39

Т23.00.02.000СБ

Плавник с тягоц Сборочный чертеж

Изм	Лист	№ докум	Подп	Дата	Лист	Масса	Масштаб
		Андреева	Андреев	17.12.			
		Величнев	Величнев				
		Сорокин	Сорокин				
		Ермаков	Ермаков				
		Фрейгин	Фрейгин				

Лист	Масса	Масштаб
Лист 1	См табл	
Листов 2		

Копир Беляева 14.00.57.9-02 34

Формат 12

Серия 4.903-10 Выпуск 6

Имя разработчика  
Имя исполнителя  
Имя проверяющего  
Имя утверждающего

Т 23.00.02.000 СБ

Таблица 2

Продолжение табл. 2

Спецификация						Спецификация						
№ поз.	1*	2	3			№ поз.	1*	2	3			
Наименование	Плавник	Тяга	Ушко	Масса материала металла, кг		Наименование	Плавник	Тяга	Ушко	Масса материала металла, кг		
Количество	1	1	1			Количество	1	1	1			
Материал	Лист 5 ГОСТ 5681-57 90-3** ГОСТ 14637-68	Круг 4 ГОСТ 2590-77 20 ГОСТ 1050-60				Материал	Лист 5 ГОСТ 5681-57 90-3** ГОСТ 14637-68	Круг 4 ГОСТ 2590-77 20 ГОСТ 1050-60				
№ чертежа или стандарта	T23.00.02.001	T23.00.02.002	T23.00.01.003			№ чертежа или стандарта	T23.00.02.001	T23.00.02.002	T23.00.01.003			
Обозначение	Обозначение	Мас. ст, кг	Обозначение	Мас. ст, кг	Обозначение	Мас. ст, кг	Обозначение	Мас. ст, кг	Обозначение	Мас. ст, кг	Обозначение	Мас. ст, кг
T230102000СБ	T2301.02.001	0,26	T23.01.02.002	0,31	T23.01.01.003	0,065	0,025	T23.36.02.002	1,08	T23.36.01.003	0,490	0,125
T2302			T23.02	0,46				T23.37	1,70			
T2303			T23.03	0,62				T23.38	2,32			
T2304			T23.04	0,77				T23.39	2,94			
T2305			T23.05	0,93				T23.40	3,55			
T2306			T23.06	1,08				T23.41	4,17			
T2307			T23.07	1,23				T23.42	4,79			
T2308			T23.08	0,44				T23.50	1,49			
T2309	T23.09	0,67	T23.51	2,38								
T2310	T23.10	0,89	T23.52	3,27								
T2311	T2308.02.001	0,44	T23.11	1,11	T23.08.01.003	0,118	0,040	T23.53	4,15	T23.50.01.003	0,060	0,215
T2312			T23.12	1,33				T23.54	5,04			
T2313			T23.13	1,55				T23.55	5,93			
T2314	T23.14	1,77	T23.56.02.002	7,46								
T2315	T2315.02.001	0,66	T23.15	0,73	T23.15.01.003	0,260	0,075					
T2316			T23.16	1,12								
T2317			T23.17	1,51								
T2318			T23.18	1,92								
T2319			T23.19	2,31								
T2320			T23.20	2,70								
T23.21.02.000СБ			T23.21.02.002	3,09								

- \* Для исполнения II дет.1 не применять.
- \*\* См. технические требования Т3.00.00.000 п.1.3.

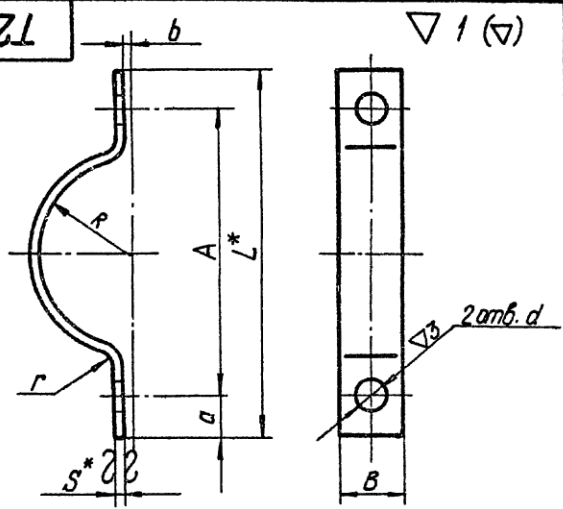
Т 23.00.02.000 СБ				Лист	
Изм	Лист	№ докум.	Подп.	Дата	2
Копировал Соболева 200329-02 35 формат 12					

Серия 4.903-10 Выпуск 6

Лист 1 из 2, планшета и листа без табл. 1, 2, 3, 4, 5, 6, 7, 8, 9, 10, 11, 12, 13, 14, 15, 16, 17, 18, 19, 20, 21, 22, 23, 24, 25, 26, 27, 28, 29, 30, 31, 32, 33, 34, 35, 36, 37, 38, 39, 40, 41, 42, 43, 44, 45, 46, 47, 48, 49, 50, 51, 52, 53, 54, 55, 56, 57, 58, 59, 60, 61, 62, 63, 64, 65, 66, 67, 68, 69, 70, 71, 72, 73, 74, 75, 76, 77, 78, 79, 80, 81, 82, 83, 84, 85, 86, 87, 88, 89, 90, 91, 92, 93, 94, 95, 96, 97, 98, 99, 100

Серия 4.903-10 Выпуск 6

100.00.00.001



$r = 0,5 S$

Размеры в мм

Обозначение	R	A	B	L	a	b	d	S	Разверну- тая длина	Масса, кг
T23.01.00.001	45	134	30	170	18	4	14	4	210	0,18
T23.08	54	160		196					245	0,22
T23.15	67	180		228					288	0,52
T23.22	80	216	40	266	25	-6	18	6	338	0,61
T23.29	98	260		310					400	0,73
T23.36	111	280		340	30	8			440	1,20
T23.43	138	360	60	430	35		23	8	556	2,04
T23.50.00.001	164	410	80	492	40	10	27	8	640	3,14

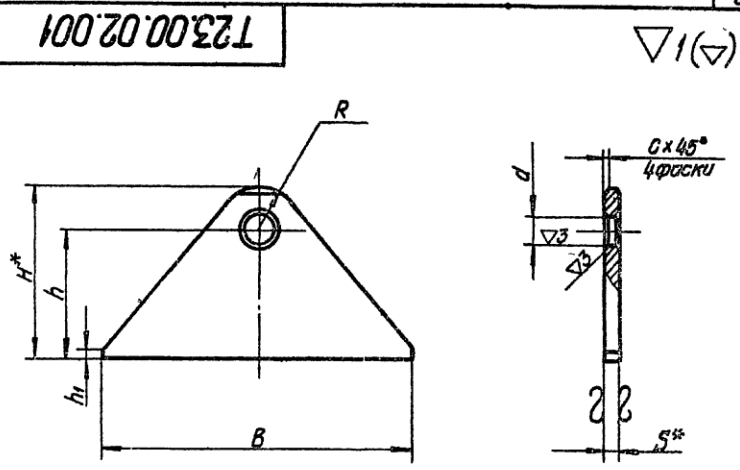
1.\* Размеры для справок  
2.\*\* См технические требования ТЗ.00.00.000 ТТ п.1.3.

Изм. № лист. Подпись и дата. Взам. инв. №. Инв. № дубл. Подпись и дата.

				Т23.00.00.001		
Изм	Лист	не допуск	Подп	Дата	Лист	Листов
Разраб	Андреева	Андреева			1	1
Проб	Величенко	Величенко	07.11			
Инсп	Сорокин	Сорокин	07.11			
Н.контр	Ермаков	Ермаков				
Утв	Фейзин	Фейзин				
				Лист S ГОСТ 5681 - 57		
				Минэнерго СССР Госпланэнергоаппарат Энергоинститут Лен. филиал		
				ВСтЗ** ГОСТ 14637-69		

Серия 4.903-10 Выпуск 6

100.20.00.001



Размеры в мм

Обозначение	B	H	h	h <sub>1</sub>	d	R	C	S	Масса, кг
T23.01.02.001	120	60	45		12	15	2	8	0,26
T23.08			60	5	14	20			0,44
T23.15	150	80	55		18	25	3	12	0,66
T23.36			50	10	23	30	4	16	0,93
T23.50.02.001	200	120	85		27	35			1,85

1.\* Размеры для справок.  
2.\*\* См технические требования ТЗ.00.00.000 ТТ п.1.3.

Изм. № лист. Подпись и дата. Взам. инв. №. Инв. № дубл. Подпись и дата.

				Т23.00.02.001		
Изм	Лист	не допуск	Подп	Дата	Лист	Листов
Разраб	Андреева	Андреева			1	1
Проб	Величенко	Величенко	07.11			
Инсп	Сорокин	Сорокин	07.11			
Н.контр	Ермаков	Ермаков				
Утв	Фейзин	Фейзин				
				Лист S ГОСТ 5681 - 57		
				Минэнерго СССР Госпланэнергоаппарат Энергоинститут Лен. филиал		
				ВСтЗ** ГОСТ 14637-69		

Копия Белыева 4.00529-02 36 Формат 11

